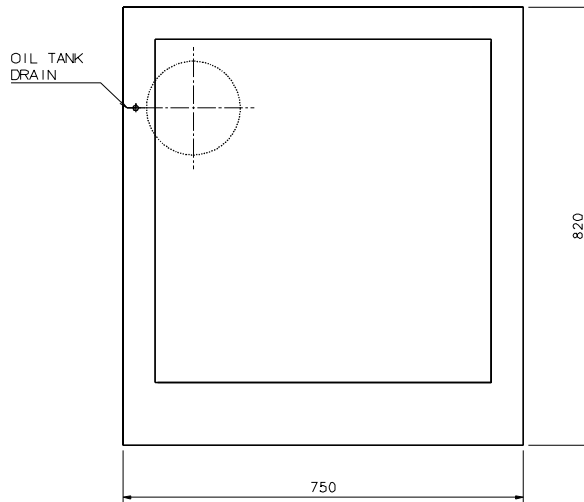


NOTES:

CONNECTIONS		
A	COMPRESSED AIR OUTLET	3/4" MALE
B	ELECTRICAL ENTRY	36.5 mm
C	OIL TANK DRAIN	1/2" FEMALE WITH PLUG
D	AIR COOLING FLOW RATE	2.1 m ³ /min
E	CONDANSATE DRAIN POINT	—
F	WEIGHT	252 KG



NOTE:
IT IS RECOMMENDED THAT A MINIMUM OF 60 cm CLEARANCE ON ALL SIDES AND ABOVE THE COMPRESSOR FOR MAINTENANCE PURPOSES

REV	DESCRIPTIONS	V.S.	I.K.	R.Ö.	DATE
A	ADD TABULATION, TANK DRAIN, ELEC.NOTE				02 MAR 07

THIS DRAWING IS THE PROPERTY OF ANKARA HAMAK IND. AND IS TRANSMITTED IN CONFIDENCE. NEITHER RECEIPT NOR POSSESSION CONFERS OR TRANSFERS ANY RIGHTS TO REPRODUCE, USE OR DISCLOSE, IN WHOLE OR PART, DATA CONTAINED HEREIN FOR ANY PURPOSE, WITHOUT THE WRITTEN PERMISSION OF ANKARA HAMAK IND.

UNLESS OTHERWISE SPECIFIED DIMENSIONS ARE IN INCHES TOLERANCES ON		CONTRACT NUMBER		ERS 11 COMPRESSOR DIMENSIONS	
FRACTIONS DECIMALS		DATE OF DRAWING			
± — .X ±		11 JAN 2007			
± .XX ±		DRAFTSMAN	CHECKER		
± .XXX ±		V. SAKAL	I. KARAHAN		
		ENGINEER	FUNCTIONAL DESIGN	CODE / IDENT NO.	
		B. OZKAN			
NEXT ASSY USED ON		MANUFACTURING	WELDING	SIZE	DRAWING NO.
APPLICATION				A1	00-0110-9000
		APPROVED		SCALE 1:5	UNIT WT ——— LB SHEET OF
		R. ÖKÇÜN			

