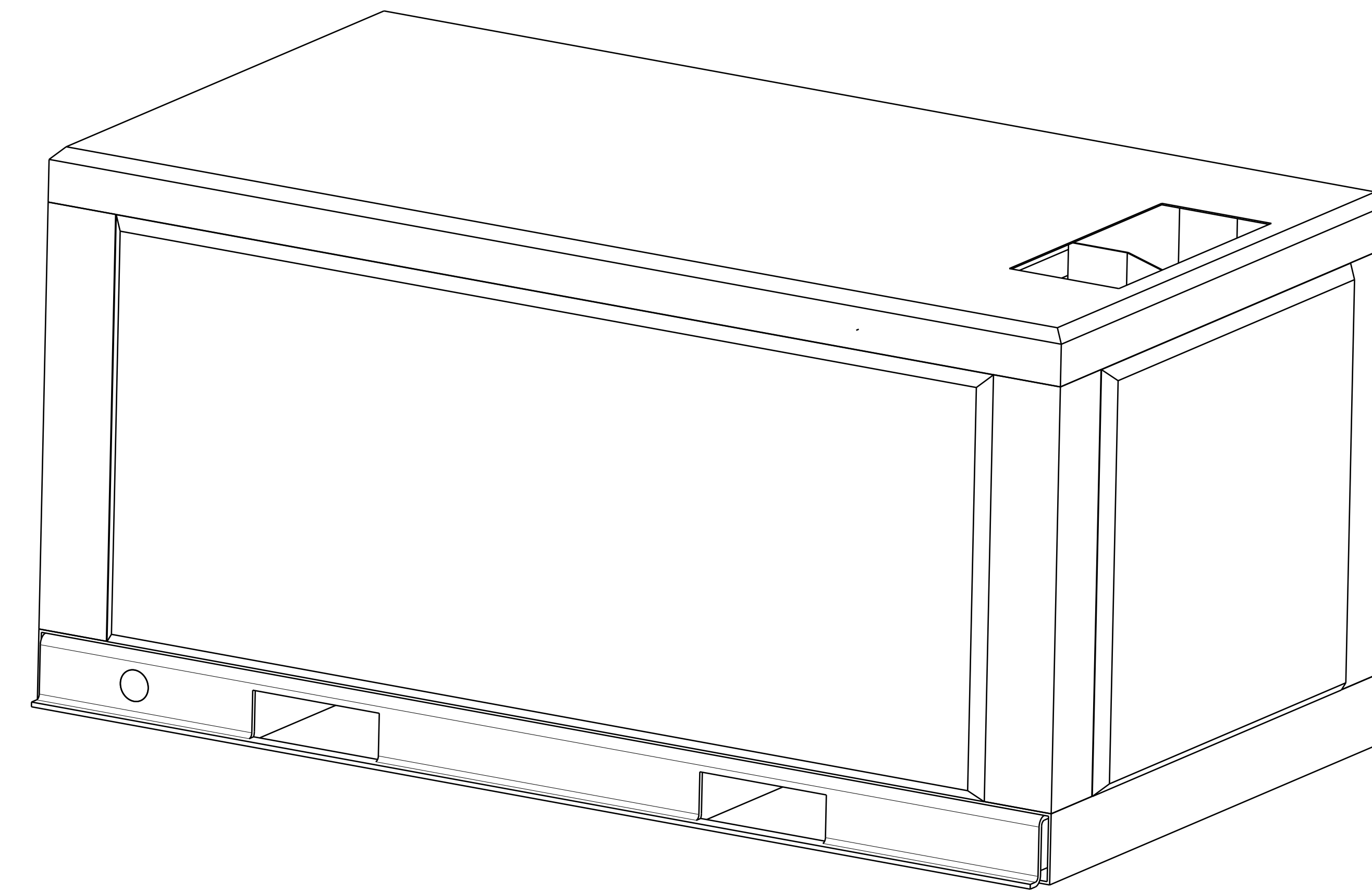
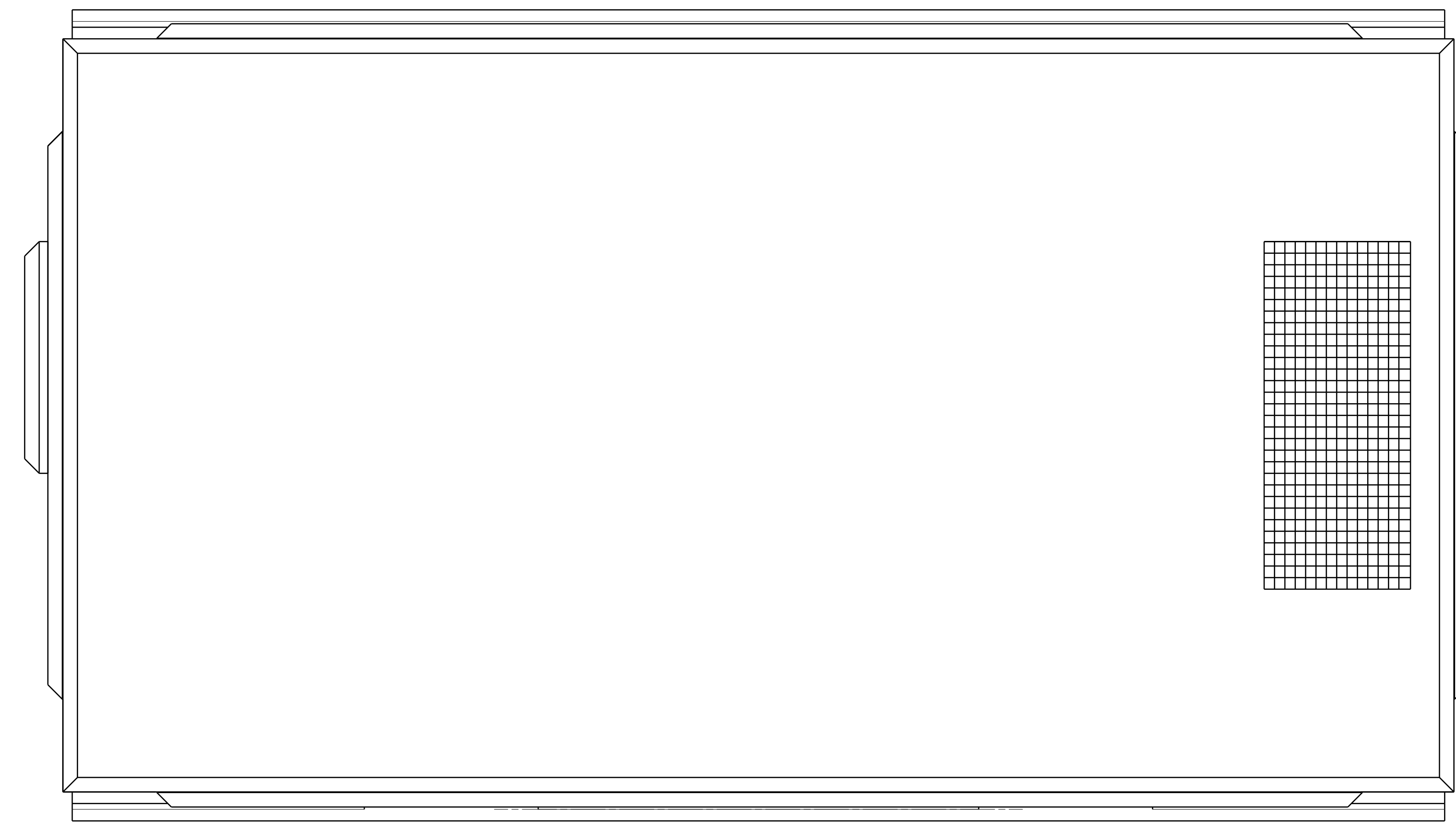
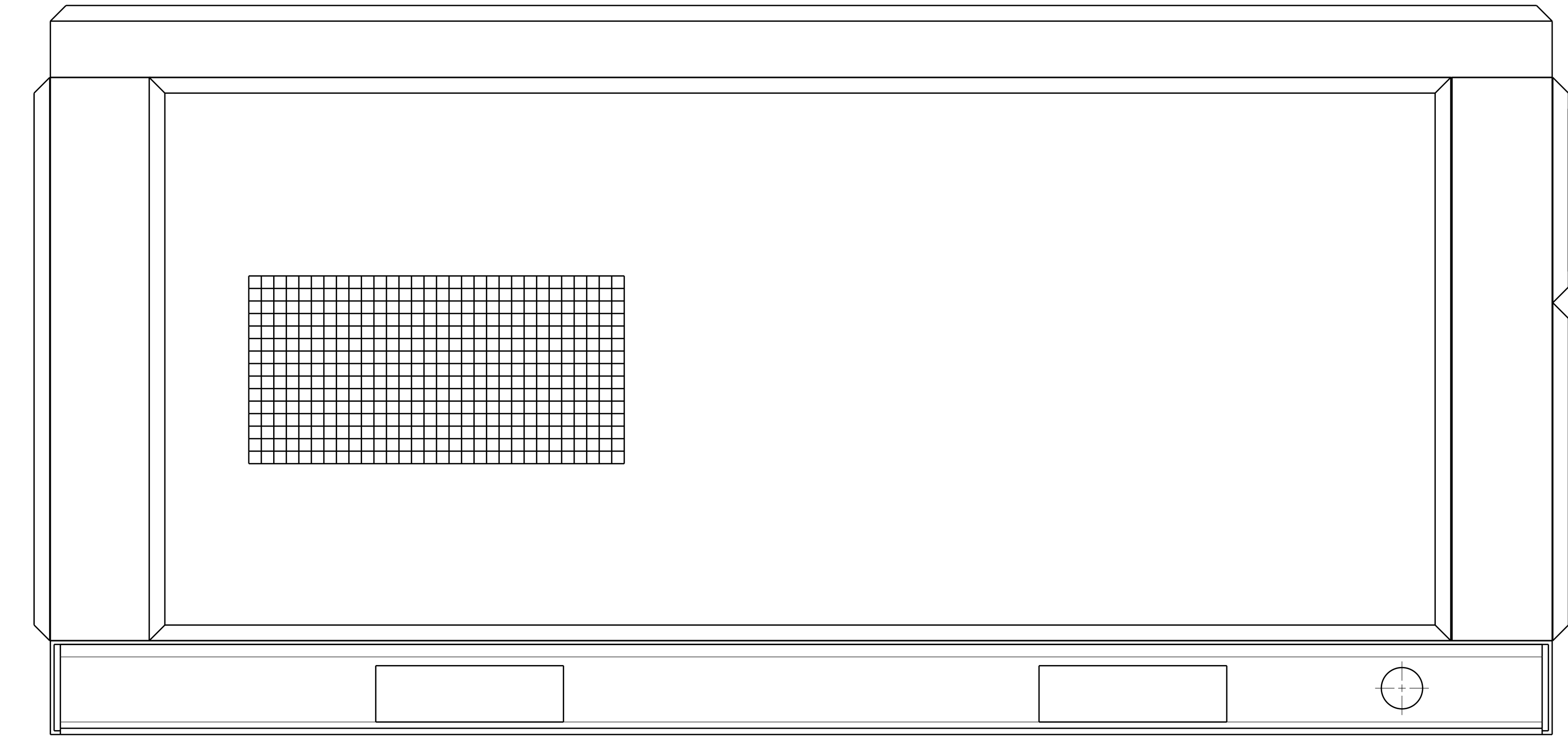
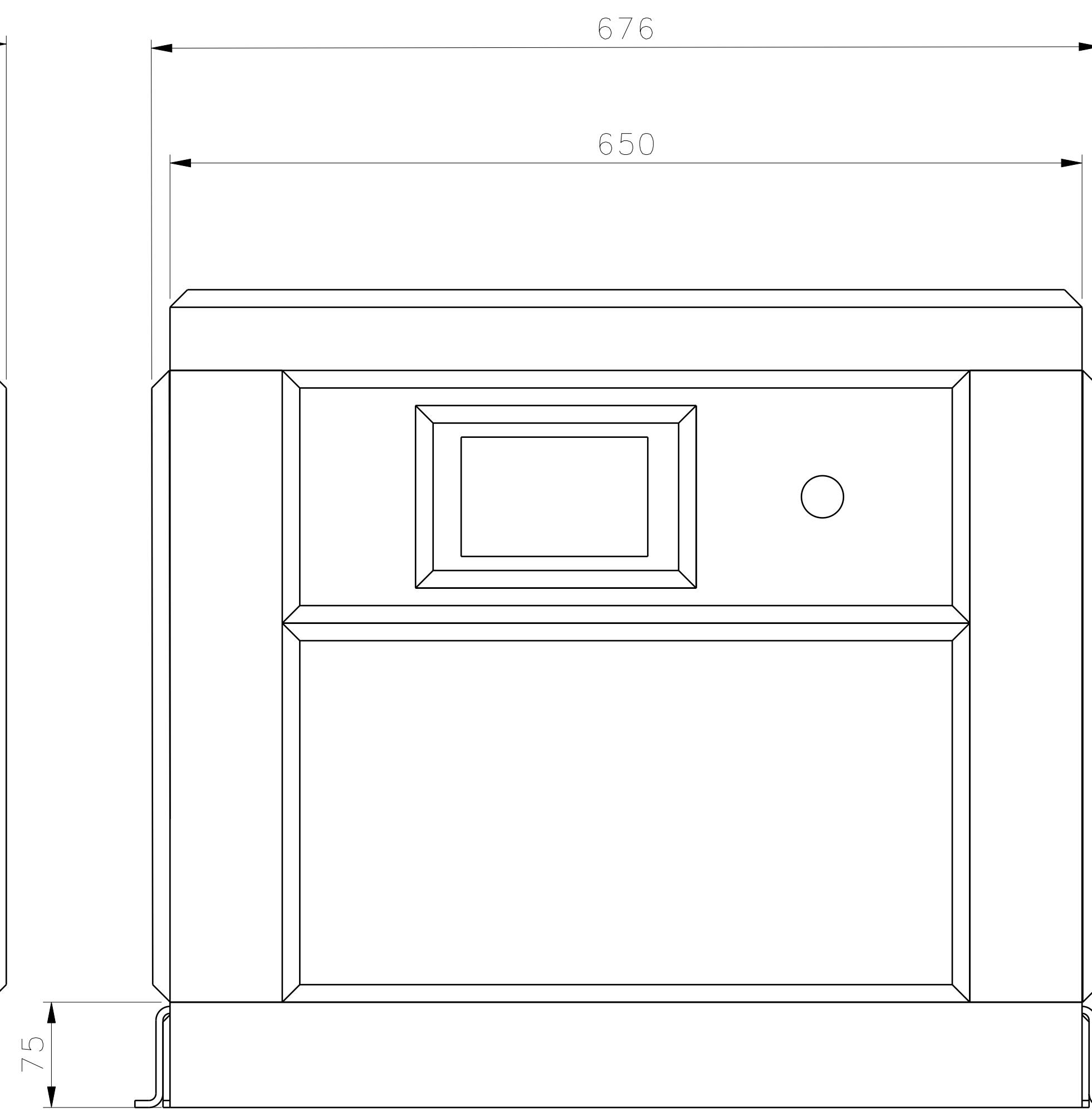


REV	TARİH	AÇIKLAMA	CİZEN	ONAY
			V.S.	R.O.



Isometric view
Scale: 1:4

ITEM NO	QTY REQD	CODE IDENT	PART OR IDENTIFYING NO	NOMENCLATURE OR DESCRIPTION	MATERIAL	SPECIFICATION	ZONE
LIST OF MATERIALS OR PARTS LIST							
THIS DRAWING IS THE PROPERTY OF ANKARA HAMAK İND. AND IS TRANSMITTED IN CONFIDENCE. NEITHER RECEIPT NOR POSSESSION CONFERS OR TRANSFERS ANY RIGHT TO REPRODUCE, USE OR DISCLOSE, IN WHOLE OR PART, DATA CONTAINED HEREIN FOR ANY PURPOSE, WITHOUT THE WRITTEN PERMISSION OF ANKARA HAMAK İND.							
UNLESS OTHERWISE SPECIFIED DIMENSIONS ARE IN INCHES TOLERANCES ON				CONTRACT NUMBER			
FRACTIONS				DATE OF DRAWING			
DECIMALS				11 JAN 2012			
± .X ± .5				DRAFTSMAN			
± .XX ± .25				V. SAKAL			
± .XXX ±				CHECKER			
				I. KARAHAN			
				ENGINEER			
				I. URKUT			
				FUNCTIONAL DESIGN			
				MANUFACTURING			
				WELDING			
				CODE IDENT NO.			
				DRAWING NO.			
				A0			
				WK-0055-9000			
NEXT ASSY				APPROVED			
USED ON				R. OKÇUN			
APPLICATION				SCALE			
				UNIT WT			
				LB			
				SHEET			
				OF			

