

G- Power Filter Series 24-2620 m³/h

VORTEX Compressed Air Filters

Vortex Compressed Air Filters have been designed to answer the current requirements of compressed air filter world. It enables a more comfortable usage for end user a better endurance, higher efficiency with lower pressure drop and more port size options.

Filtration

Due to the usage of deep pleating technique filtration area has increased remarkably which leads to a better filtration and higher dirt holding capacity.

Vortex Compressed Air Filters have been designed to remove airborne contamination in a compressed air stream, delivering energy efficient operation and reliable performance.

Features

The air filters have 4 ranges of efficiencies, removing down to 0.01 micron at up to 235 psi (16barg) - 1/4" to 3" N P T / B S P pipe sizes. A protected auto float drain (2mm orifice) is standard for reliable removal of liquid contaminants. Zero-porosity aluminum and durable epoxy powder-coat finish, along with a corrosion-resistant internal coating gives long service life.

Filter combinations are configured to meet specific application requirements Filters comply with PED and perform as per related I SO 8573 standards. These filters may be equipped with differential pressure gauges for easy maintenance and energy efficiency. Vortex compressed air filters are always recommended with this system.



Types of Compressed Air Filters

Y Pre-Filter/Particulate Filter
(Filter/Element air flow direction is out side to inside)

P Coalescing Filter / Oil Removal
(Filter/Element air flow direction is inside to outside)

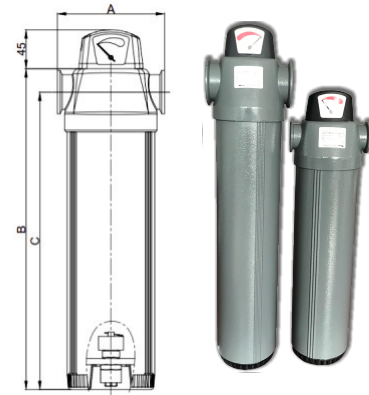
X General Purpose Filter / W a t e r Removal
(Filter/Element air flow direction is inside to outside)

A Activated Carbon Filter / Odor Removal
(Filter/Element air flow direction is outside to inside)

G- Power Filter Series 24-2620 m³/h

Technical specifications of Aluminum Range

FILTERMODEL	PORTSIZE WTH	Capacity M ³ /4	DIMENSIONIN(mm)		
			A	B	C
G 25M	1/4"	25	102	218	196
G 50M	3/8"	50	102	218	196
G 100M	1/2"	100	102	257.5	235.5
G 150M	3/4"	150	123	304	276
G 200M	3/4"	200	123	366.5	338.5
G 250M	1"	250	123	406.5	378.5
G 300 M	1 1/4"	300	123	464	427.5
G 500 M	1 1/4"	500	123	494	457.5
G 600 M	1 1/2"	600	123	538	501.5
G 851 M	2"	851	160	624	583.8
G 1210 M	2"	1210	160	694	653.8
G 1520 M	2 1/2"	1520	194	732	675
G 1820 M	3"	1820	194	872	815
G 2220 M	3"	2220	194	923	866
G 2620 M	3"	2620	194	1068	1011



Specification	Pre Filtering	General Purpose	Oil Removal	Activated Carbon
Grade	P	X	Y	A
Partical Removal (Micron)	5	1	0.01	0.01
Max. Oil carryover at 21 C (mg/m)	5	0.5	0.01	0.003
Max. Working Tempreature (C)	80	80	80	25
Initial Pressure Loss (mbar)	40	80	100	80
Pressure Loss for Element Change (mbar)	700	700	700	700
Max. Working Pressure (bar.g)	16	16	16	16
Element Colour Code	Green	Blue	Red	Metallic



Correction Table

Working Pressure (bar)	1	3	5	7	9	11	13	15	17	20
Working Pressure (psig)	15	44	73	100	131	160	189	218	247	290
Correction Factor	0.5	0.71	0.87	1	1.22	1.22	1.32	1.44	1.57	1.7

For maximum flow rate, multiply flow rate shown in the above table by the correction table corresponding to the working pressure.

- Grades P, X, and Y are suitable for use with mineral and synthetic oils
- Grade A filters must not be used with oil saturated air without prior filtration from grade P,X, and Y filters.
- Grade A filter elements should be replaced every 6 months for continued efficiency.
- Diff. pressure gauges supplied as standard on all filters.
- Grade A filters will not remove certain gases including but not limited to carbon dioxide and carbon monoxide. Please contact us for further information.
- Flow rates are calculated assuming an airflow at 7 bars working pressure. For other pressures please refer to the correction factors in the table above.
- All filters conform to the Pressure Equipment Directive 97/23/EC

For Ordering:

The complete filter model number contains the size and the grade of the filter.

e.g. The Filter G250X is a general purpose (X) filter with an approved flowrate of 250 m³/h
replace G with M when ordering replacement elements.

