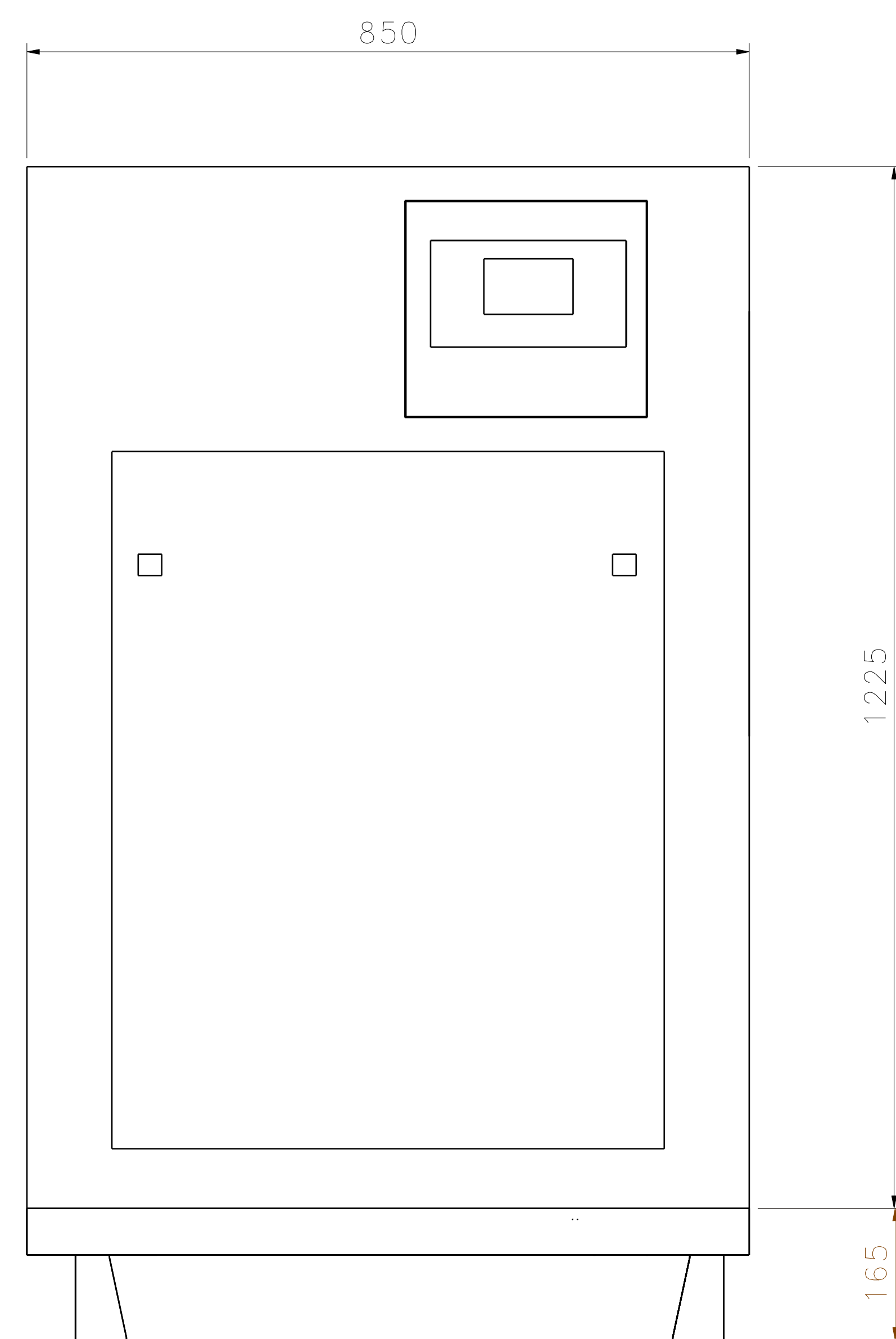
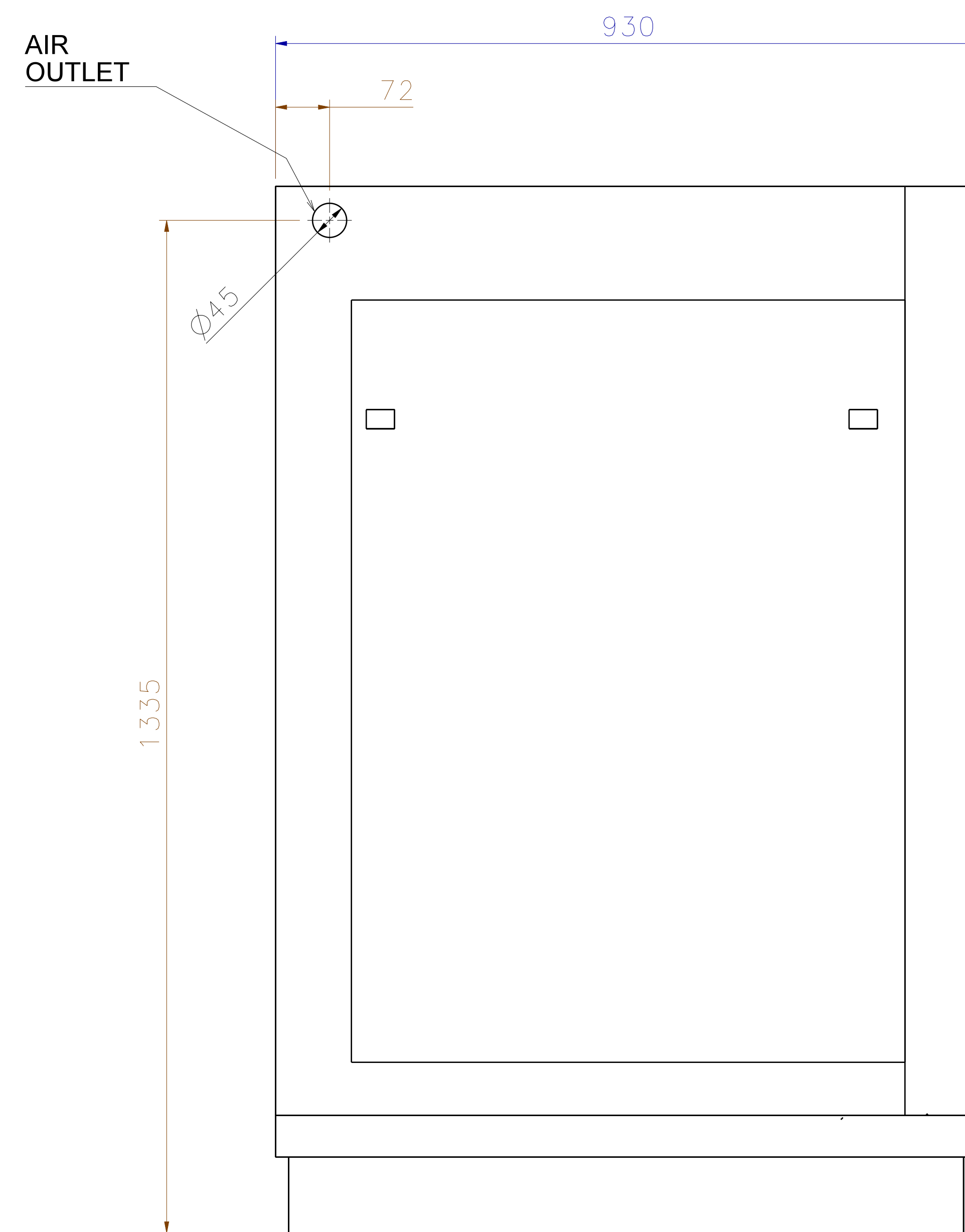
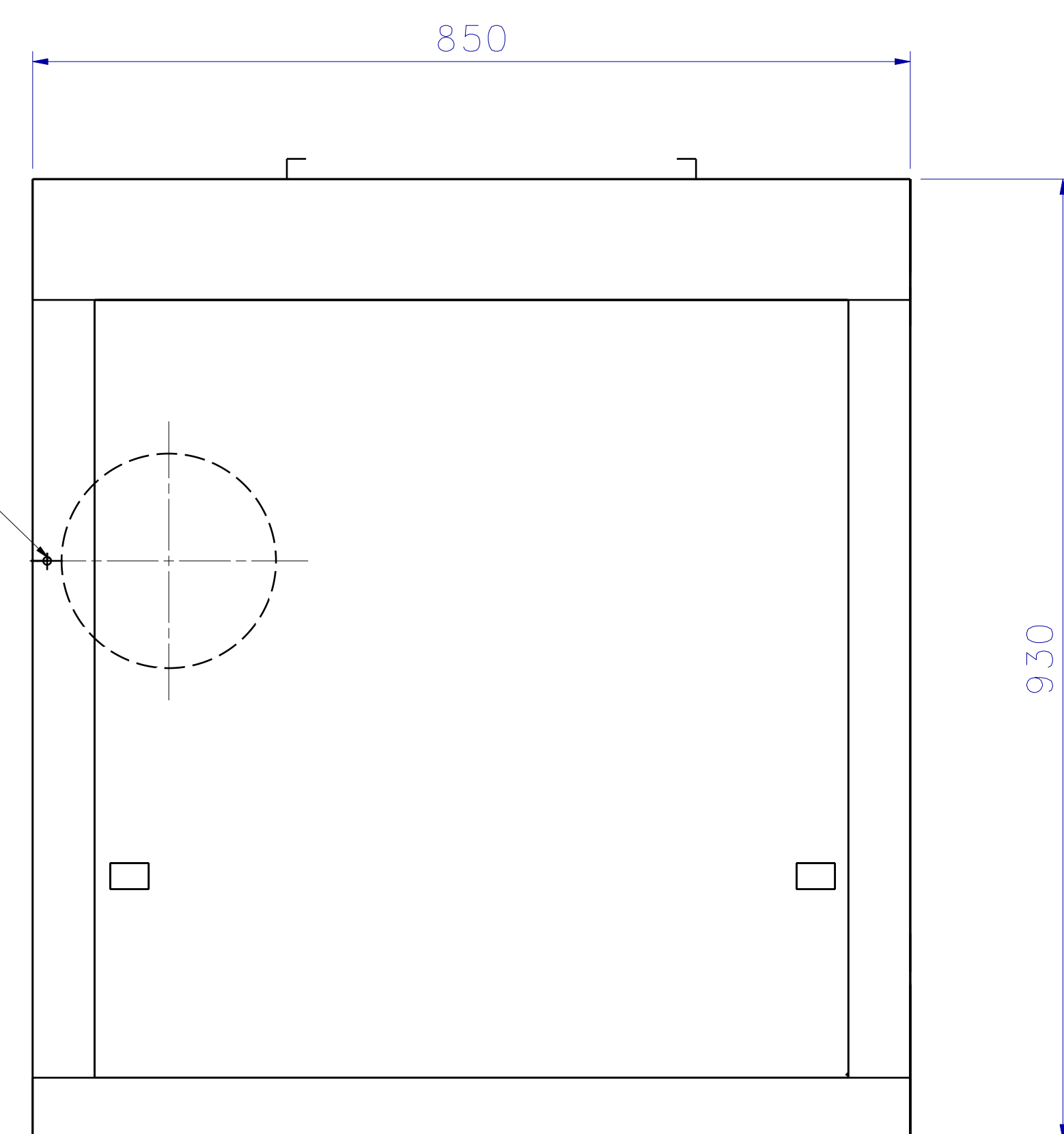


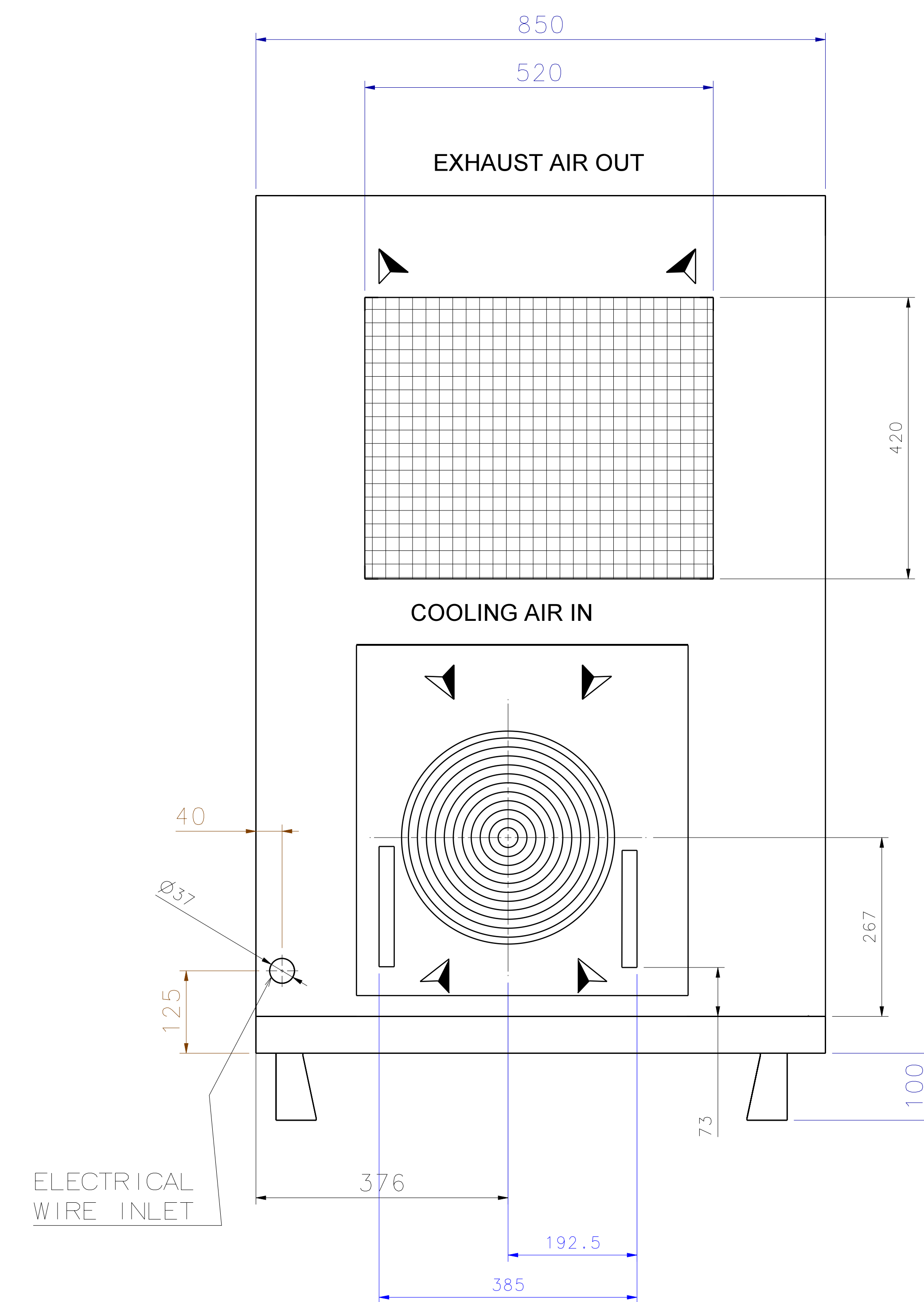
Right view
Scale: 1:5



OIL TANK DRAIN



Left view
Scale: 1:5



25.05.2021

THIS DRAWING FOR REFERENCE ONLY.

DESCRIPTIONS		DRAW	CHK'D	APPR.	DATE
THIS DRAWING IS THE PROPERTY OF ANKARA HAMAK IND. AND IS TRANSMITTED IN CONFIDENCE. NEITHER RECEIPT NOR POSSESSION CONFERS OR TRANSFERS ANY RIGHT TO REPRODUCE, USE, OR DISCLOSE, IN WHOLE OR PART, DATA CONTAINED HEREIN FOR ANY PURPOSE, WITHOUT THE WRITTEN PERMISSION OF ANKARA HAMAK IND.					
UNLESS OTHERWISE SPECIFIED DIMENSIONS ARE IN INCHES TOLERANCES ON		CONTRACT NUMBER			
FRACTIONS DECIMALS		DATE OF DRAWING		ERS 18.5 COMPRESSOR DIMENSIONS	
± .X ±		14 APR 2017			
ANGELS .XX ±		DRAFTSMAN			
± .XXX ±		V. SAKAL			
		ENGINEER		CHECKER	
		B. OZKAN		I. KARAHAN	
		MANUFACTURING		FUNCTIONAL DESIGN	
		WELDING		CODE IDENT NO.	
NEXT ASSY USED ON		APPROVED		SIZE DRAWING NO.	
APPLICATION		R. OKÇON		A1 00-0185-9200	
		SCALE 1:5		UNIT WT. LB SHEET OF	