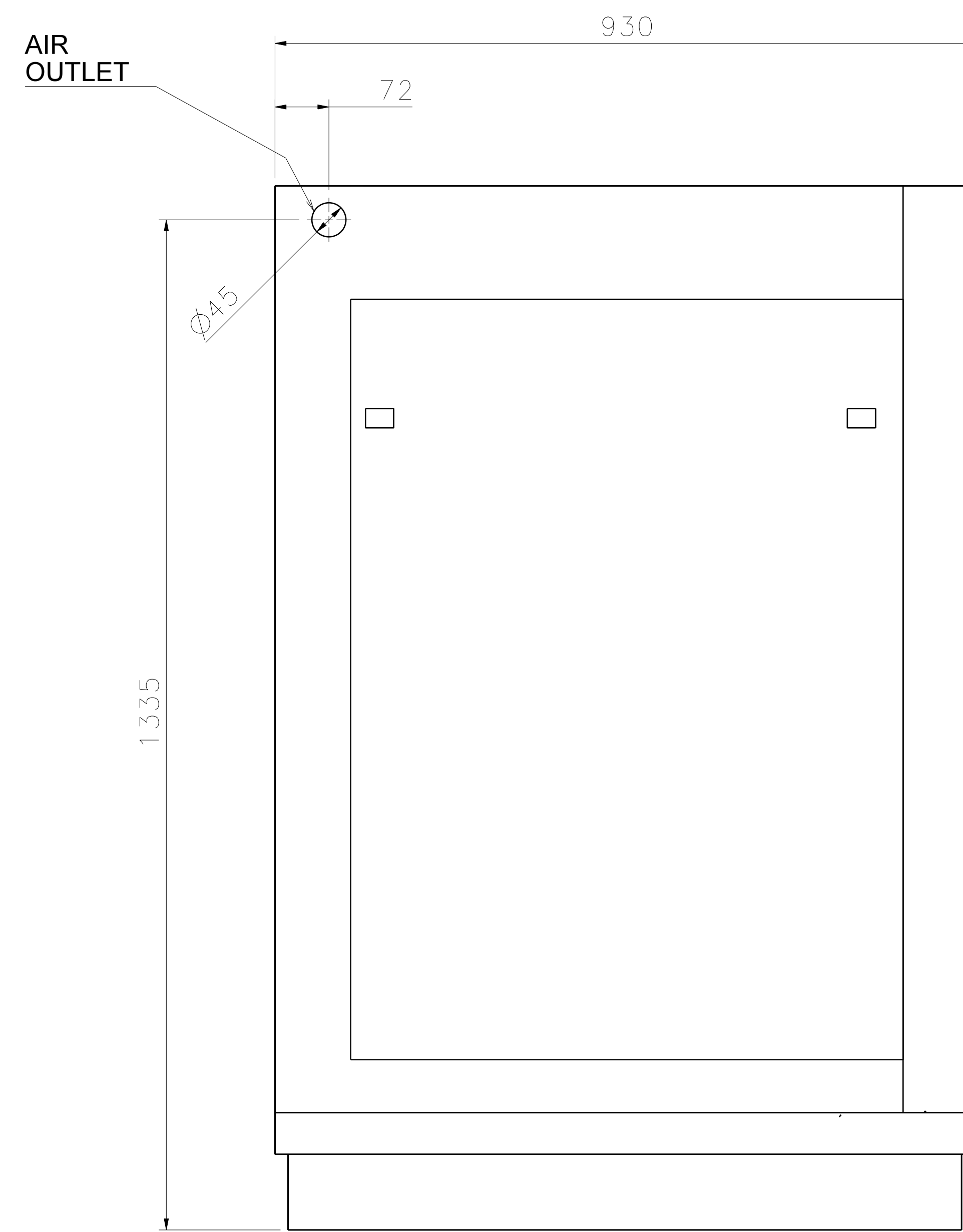
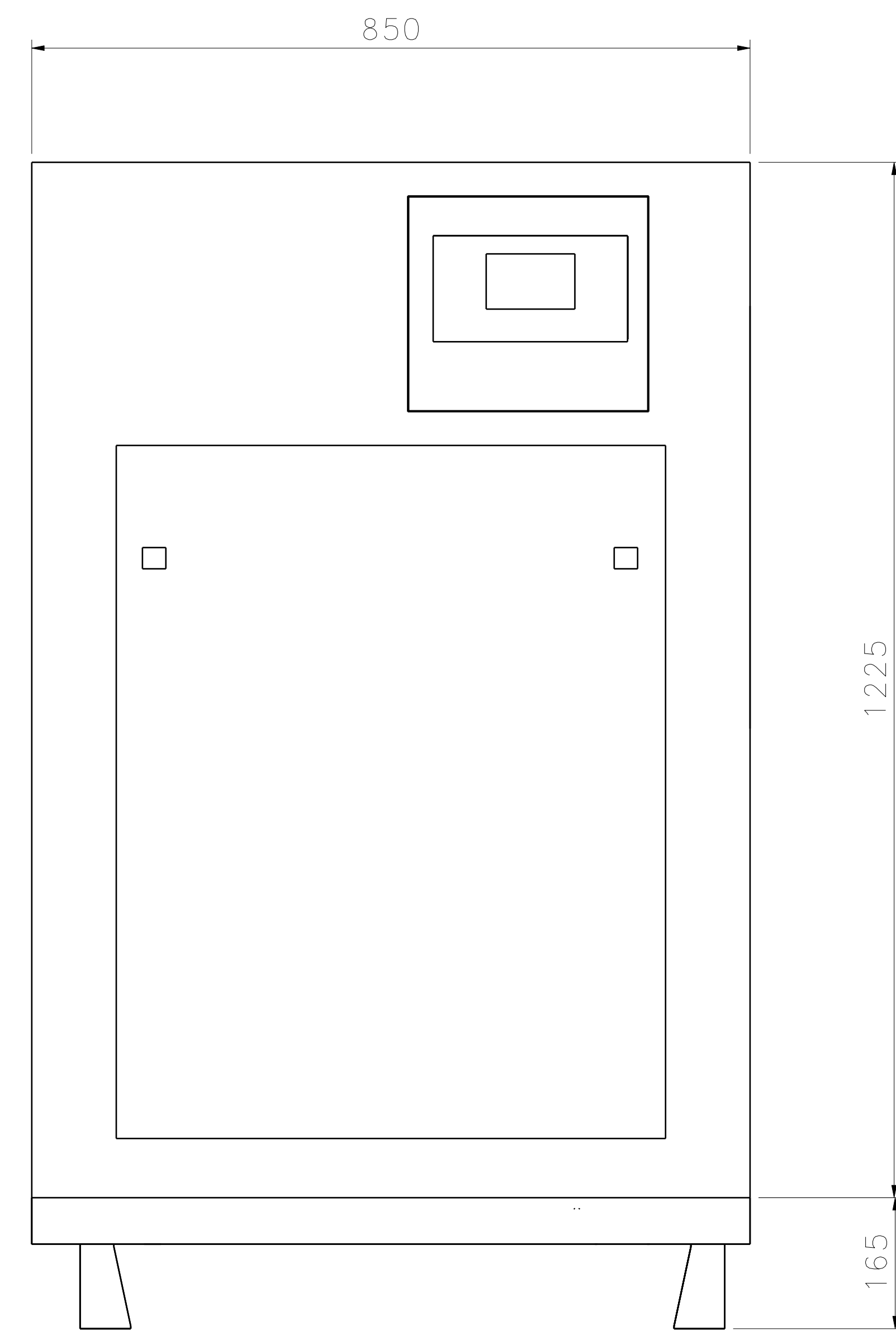
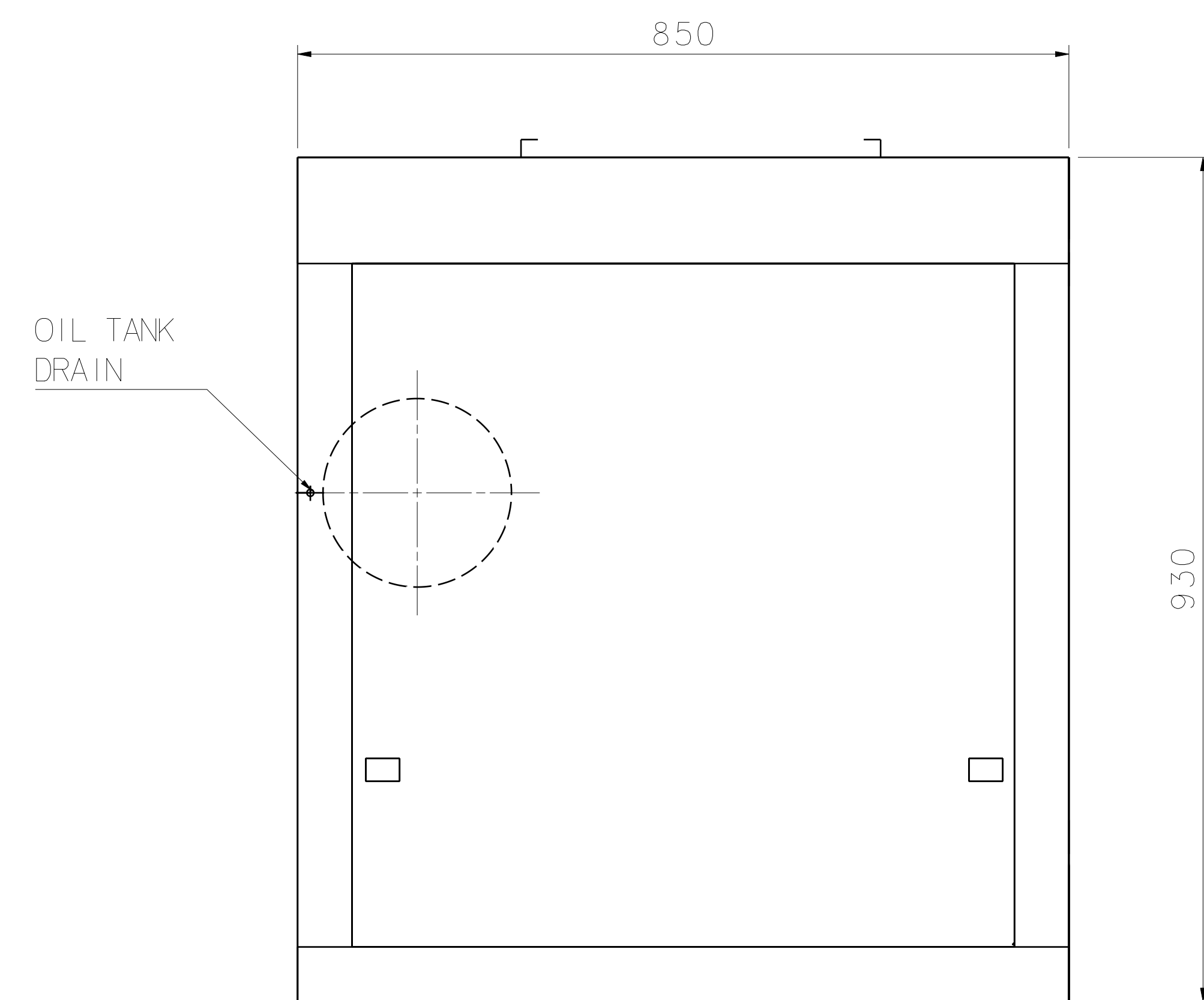
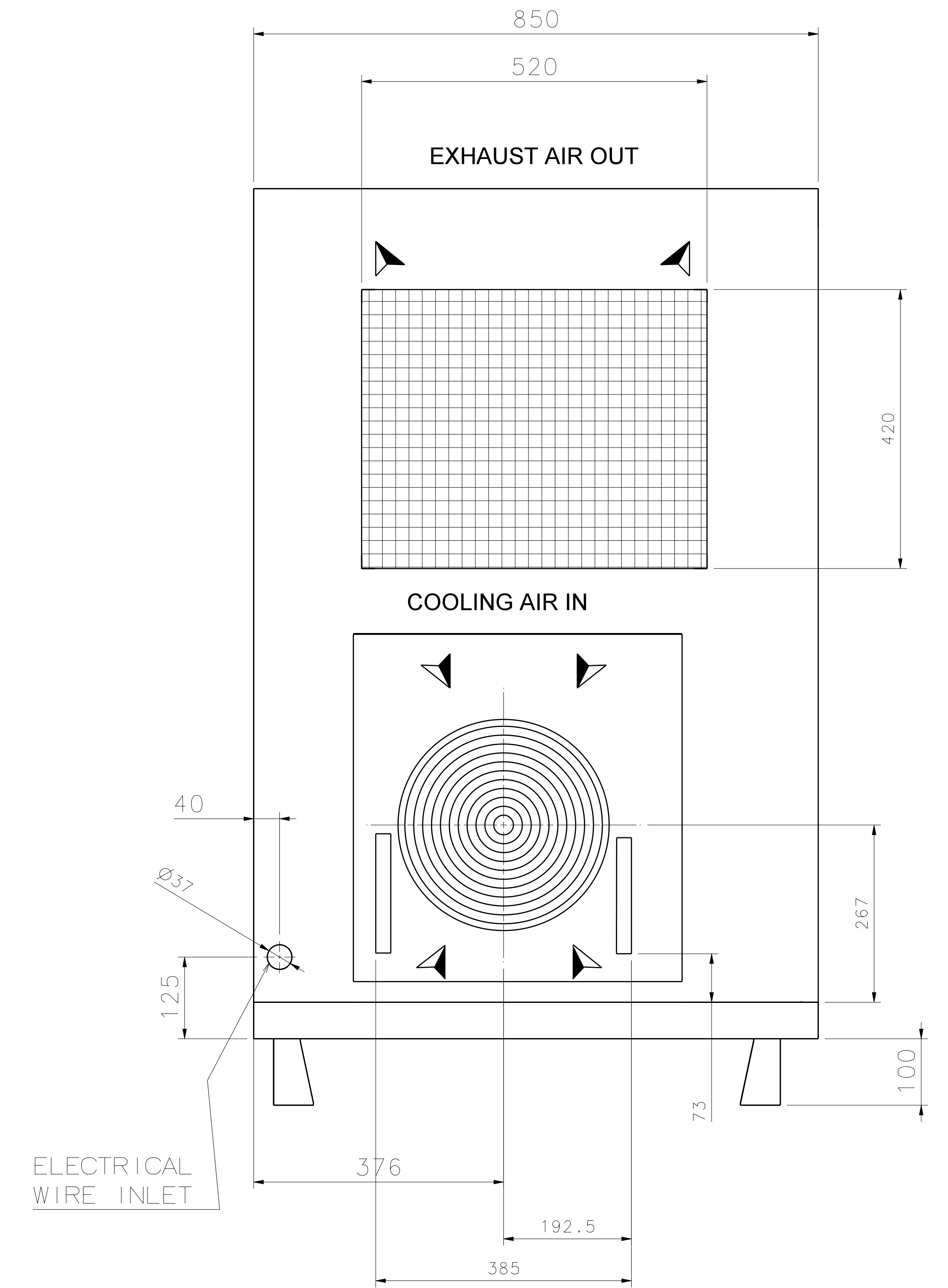


Right view  
Scale: 1:5



Left view  
Scale: 1:5



**NOTE:**  
IT IS RECOMMENDED THAT A MINIMUM OF 60 cm CLEARANCE ON ALL SIDES AND ABOVE THE COMPRESSOR FOR MAINTENANCE PURPOSES

NOTES:

CONNECTIONS		
A	COMPRESSED AIR OUTLET	1" MALE
B	ELECTRICAL ENTRY	36.5 mm
C	OIL TANK DRAIN	1/2" FEMALE WITH PLUG
D	AIR COOLING FLOW RATE	3.6 m <sup>3</sup> /min
E	CONDENSATE DRAIN POINT	—
F	WEIGHT	480

25.05.2021

THIS DRAWING FOR REFERENCE ONLY.

A	ADD TABULATION, TANK DRAIN, ELEC.NOTE	DRAW	CHK'D	R.O.	02 MAR 08
DESCRIPTIONS		DRAW	CHK'D	APPR.	DATE
THIS DRAWING IS THE PROPERTY OF ANKARA HAMAK IND. AND IS TRANSMITTED IN CONFIDENCE. NEITHER RECEIPT NOR POSSESSION CONFERS OR TRANSFERS ANY RIGHT TO REPRODUCE, USE, OR DISCLOSE, IN WHOLE OR PART, DATA CONTAINED HEREIN FOR ANY PURPOSE, WITHOUT THE WRITTEN PERMISSION OF ANKARA HAMAK IND.					
UNLESS OTHERWISE SPECIFIED DIMENSIONS ARE IN INCHES TOLERANCES ON		CONTRACT NUMBER			
FRACTIONS DECIMALS		DATE OF DRAWING			
± — .X ±		14 APR 2017			
± .XX ±		DRAFTSMAN		CHECKER	
± .XXX ±		V. SAKAL		I. KARAHAN	
		ENGINEER		FUNCTIONAL DESIGN	
		B. OZKAN		CODE IDENT NO.	
VORTEX COMPRESSOR		MANUFACTURING		WELDING	
APPROVED R. OKÇON		SIZE		DRAWING NO.	
NEXT ASSY USED ON		A1		00-0220-9200	
APPLICATION		SCALE 1:5		UNIT WT. LB SHEET OF	