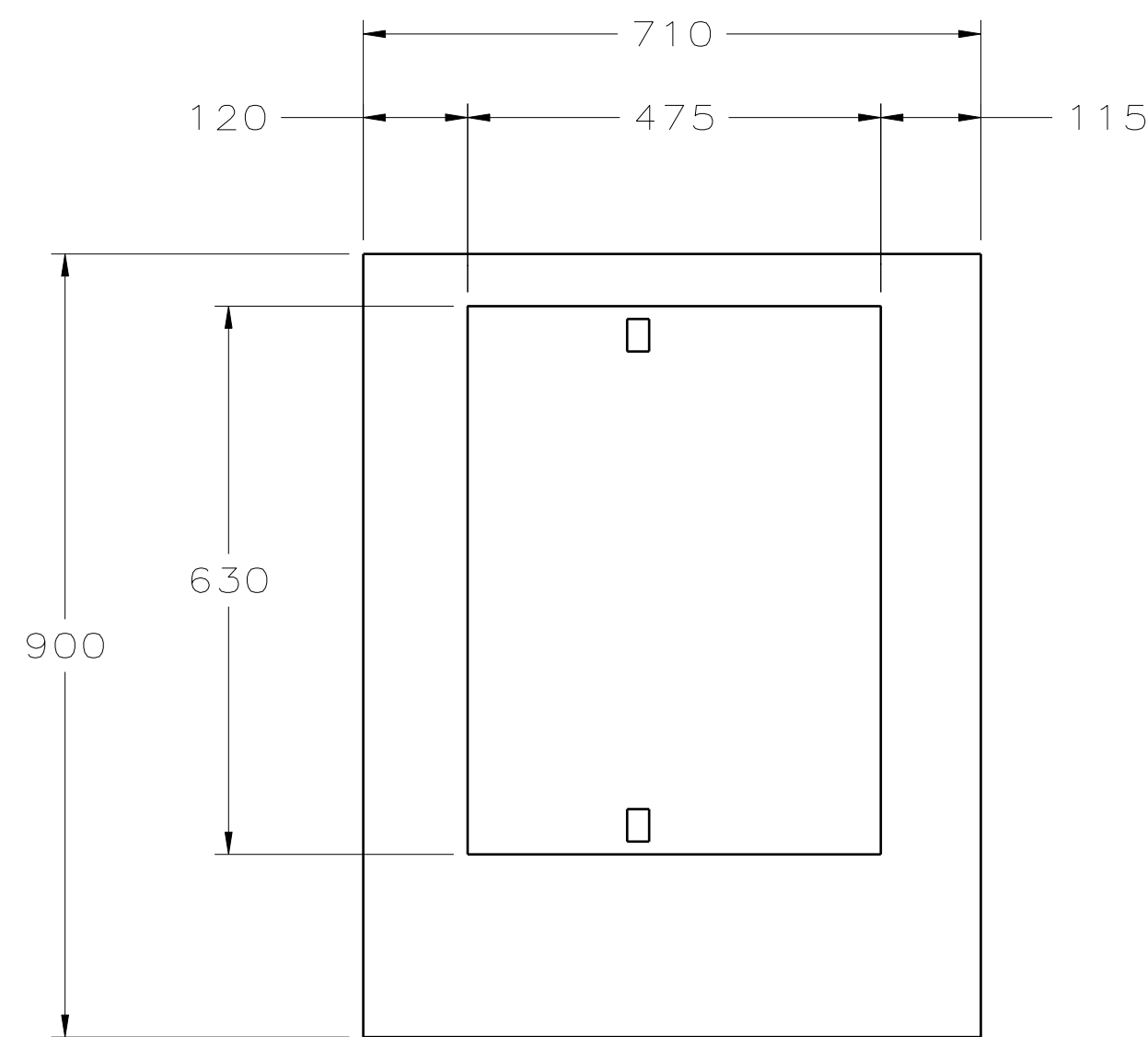
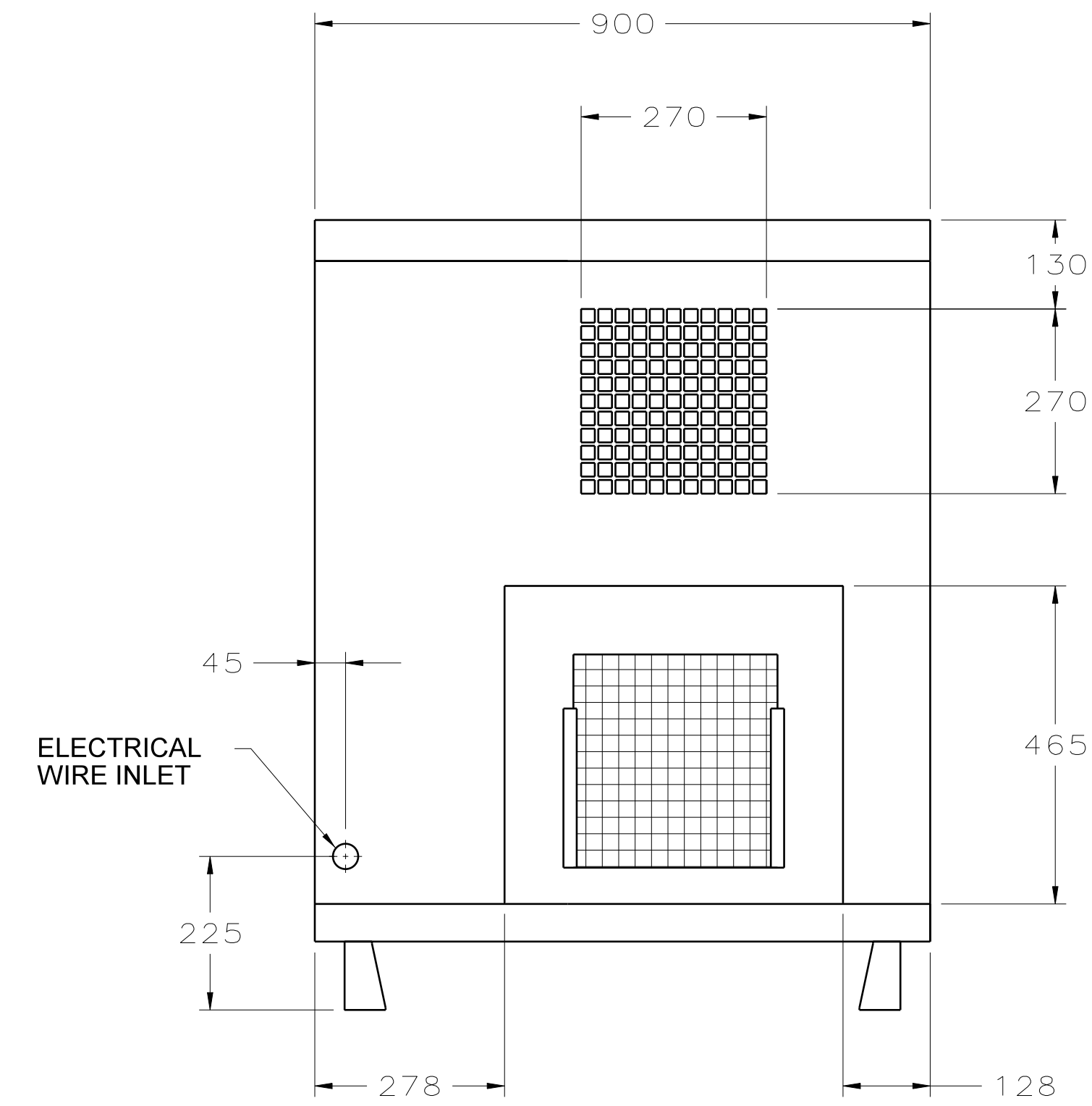
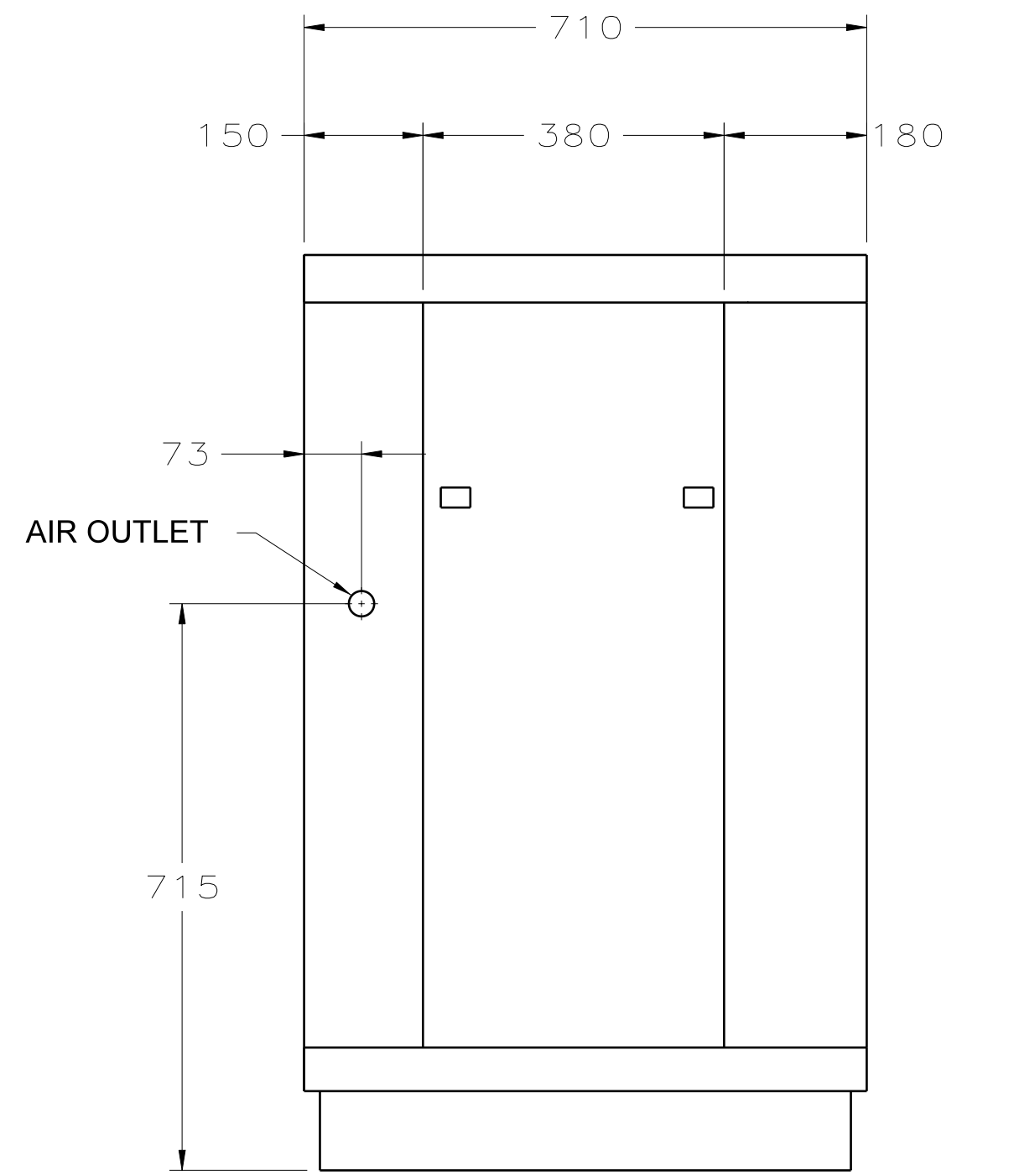
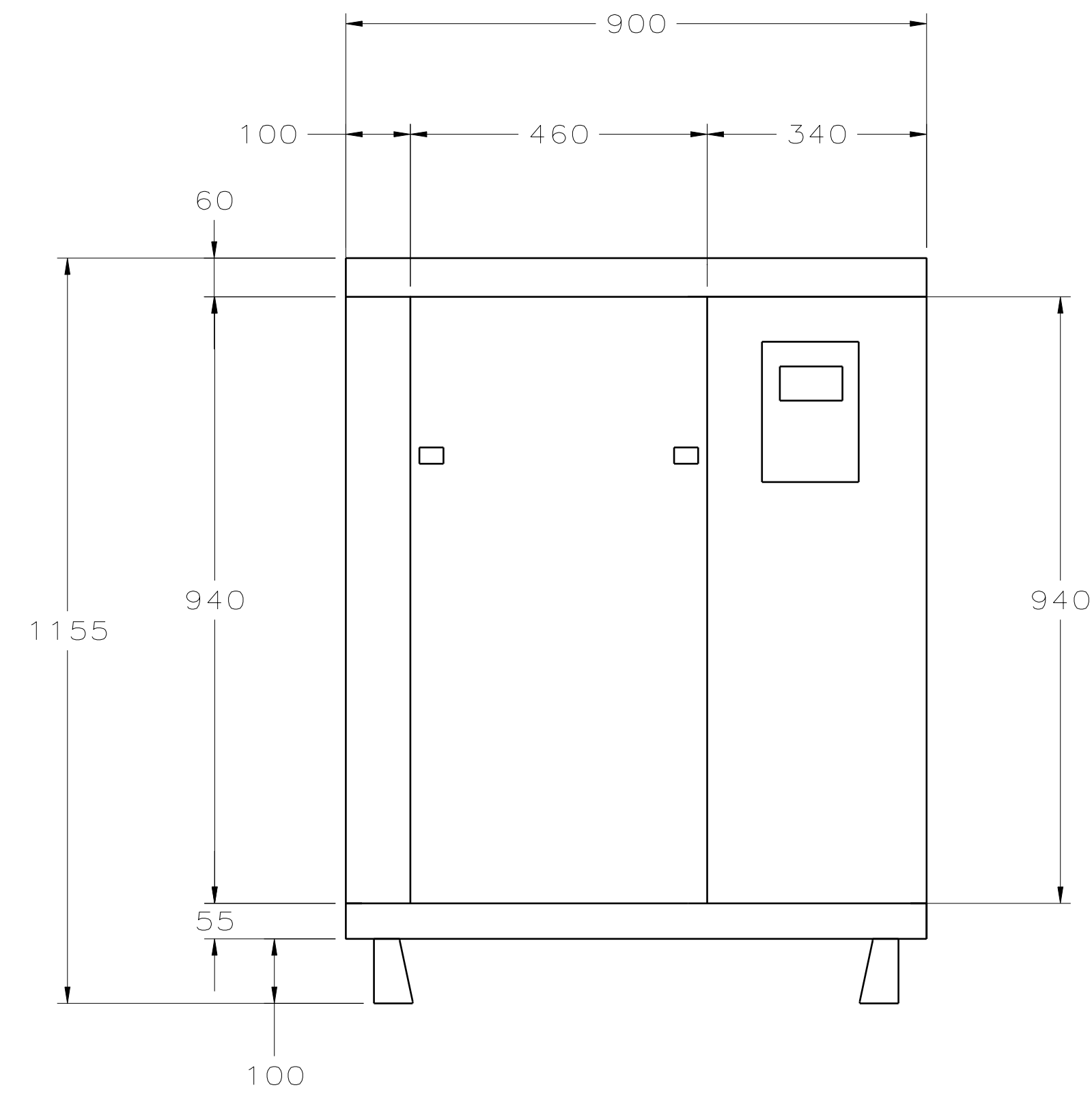



DRW	APPR	DESCRIPTION	DATE	REV
V.S.	R.O.	CHANGE CABIN DIM. 710 WAS 650	22.08.2019	A



NOTES:

CONNECTIONS		
A	COMPRESSED AIR OUTLET	3/4" MALE
B	ELECTRICAL ENTRY	36.5 mm
C	OIL TANK DRAIN	1/2" FEMALE WITH PLUG
D	AIR COOLING FLOW RATE	1.4 m ³ /min
E	CONDANSATE DRAIN POINT	—
F	WEIGHT	226 KG

25.05.2021

ITEM NO	QTY REQD	CODE IDENT	PART OR IDENTIFYING NO	NOMENCLATURE OR DESCRIPTION	MATERIAL	SPECIFICATION	ZONE
LIST OF MATERIALS OR PARTS LIST							
THIS DRAWING IS THE PROPERTY OF ANKARA HAMAK IND. AND IS TRANSMITTED IN CONFIDENCE. NEITHER RECEIPT NOR POSSESSION CONFERS OR TRANSFERS ANY RIGHTS TO REPRODUCE, USE OR DISCLOSE, IN WHOLE OR PART, DATA CONTAINED HEREIN FOR ANY PURPOSE, WITHOUT THE WRITTEN PERMISSION OF ANKARA HAMAK IND.							
UNLESS OTHERWISE SPECIFIED DIMENSIONS ARE IN INCHES TOLERANCES ON				CONTRACT NUMBER		VSD 7,5 COMPRESSOR DIMENSIONS	
FRACTIONS DECIMALS ± ——— .X ± ANGELS .XX ± ± .XXX ±				DATE OF DRAWING 01 FEB 2007			
				DRAFTSMAN V. SAKAL		CHECKER I. KARAHAN	
				ENGINEER B. OZKAN		FUNCTIONAL DESIGN	
NEXT ASSY USED ON				MANUFACTURING		WELDING	
APPLICATION				APPROVED R. ÖKÇÜN		CODE IDENT NO.	
				SCALE 1:5		DRAWING NO. 10-0075-9000	
				UNIT WT 226 KG		SHEET OF	