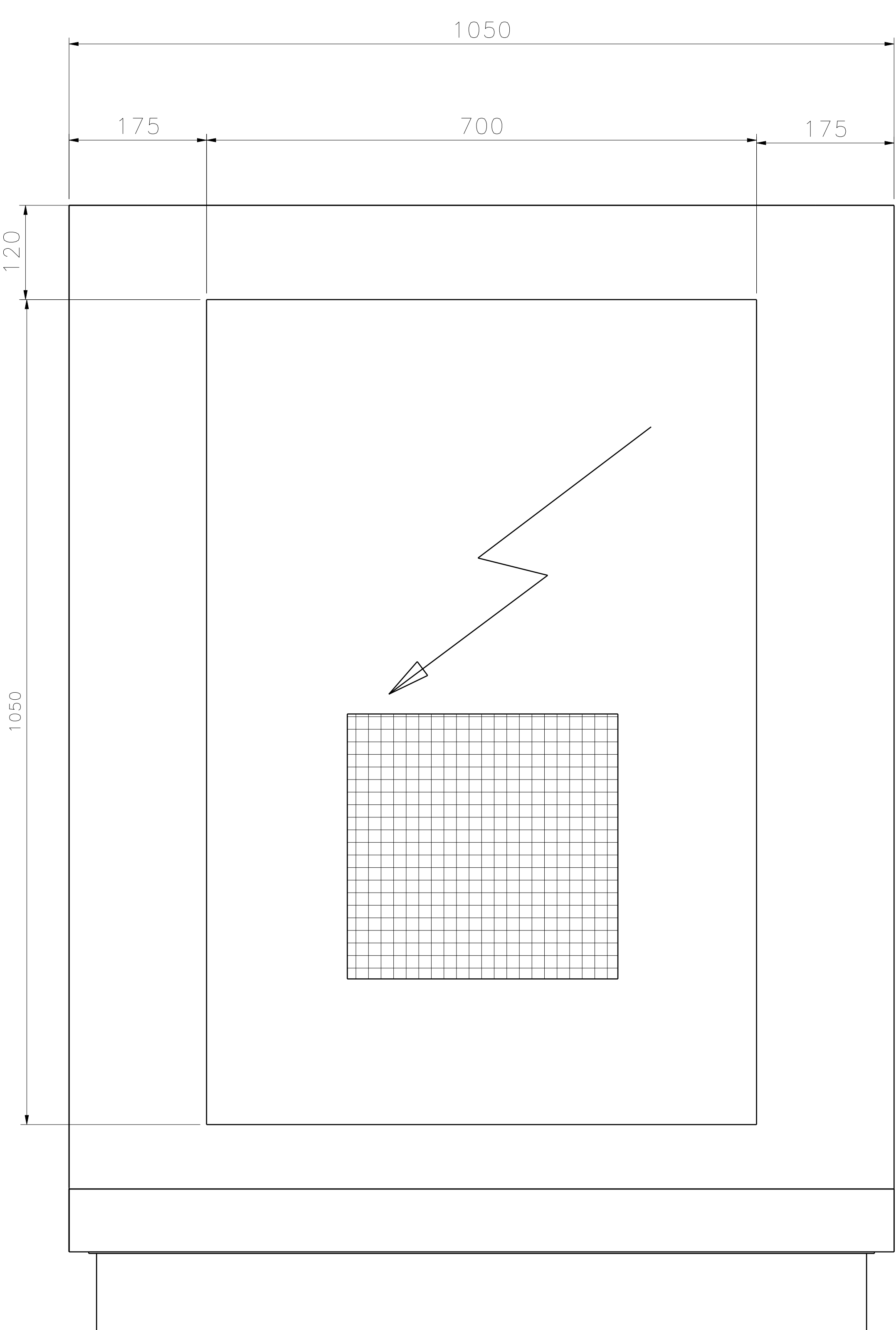
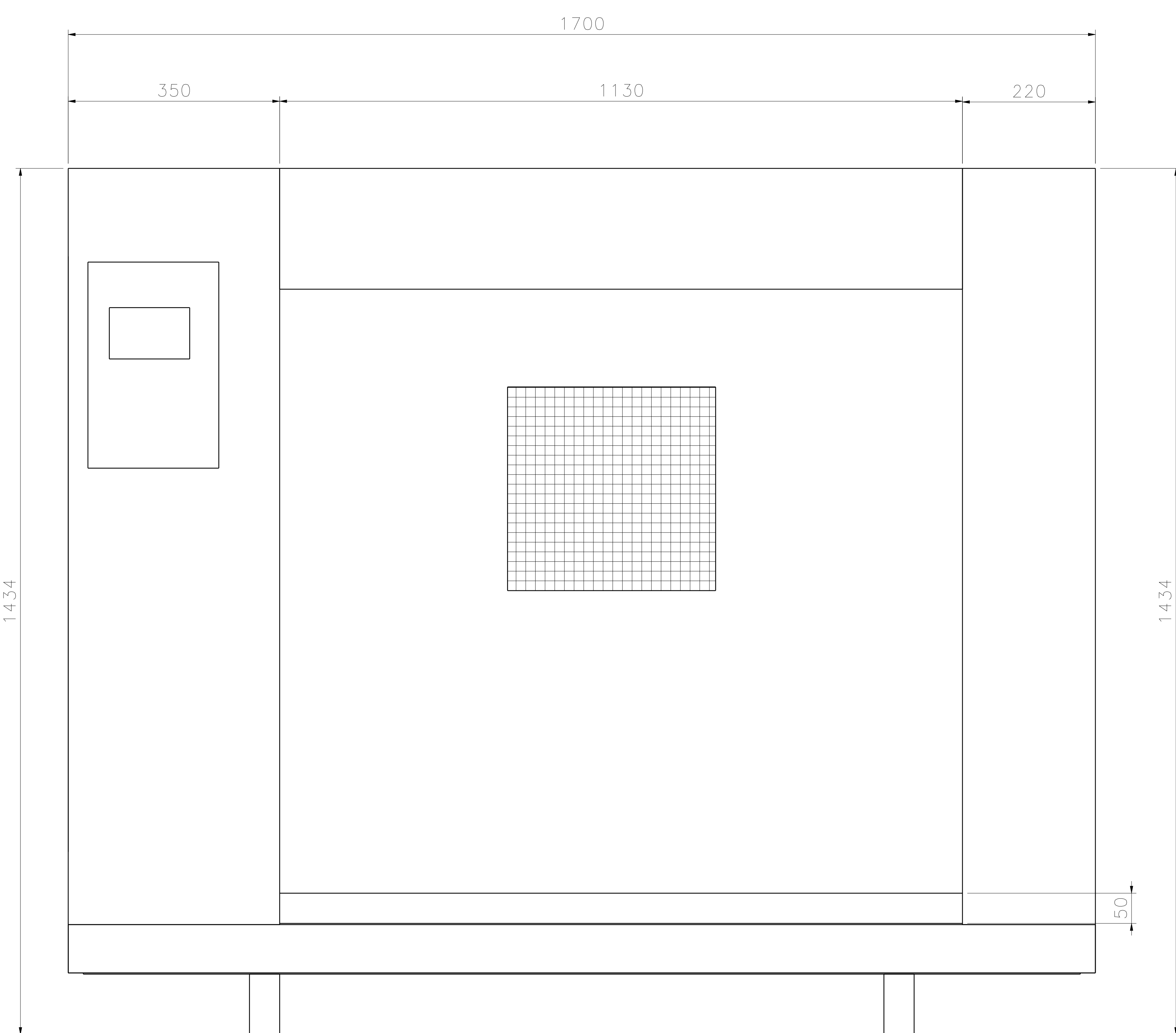


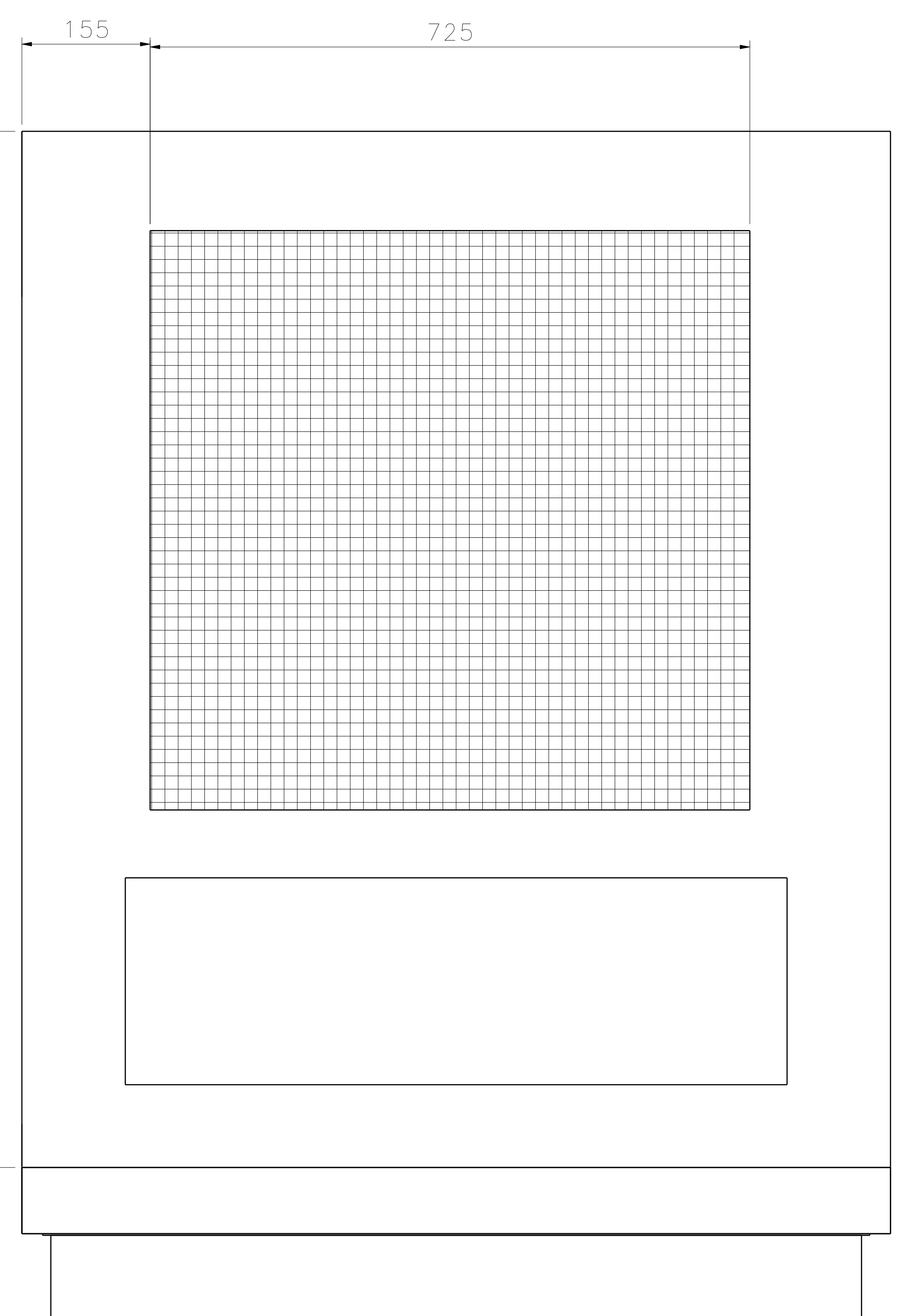
REV	DRW	DESCRIPTION	DATE	APPR



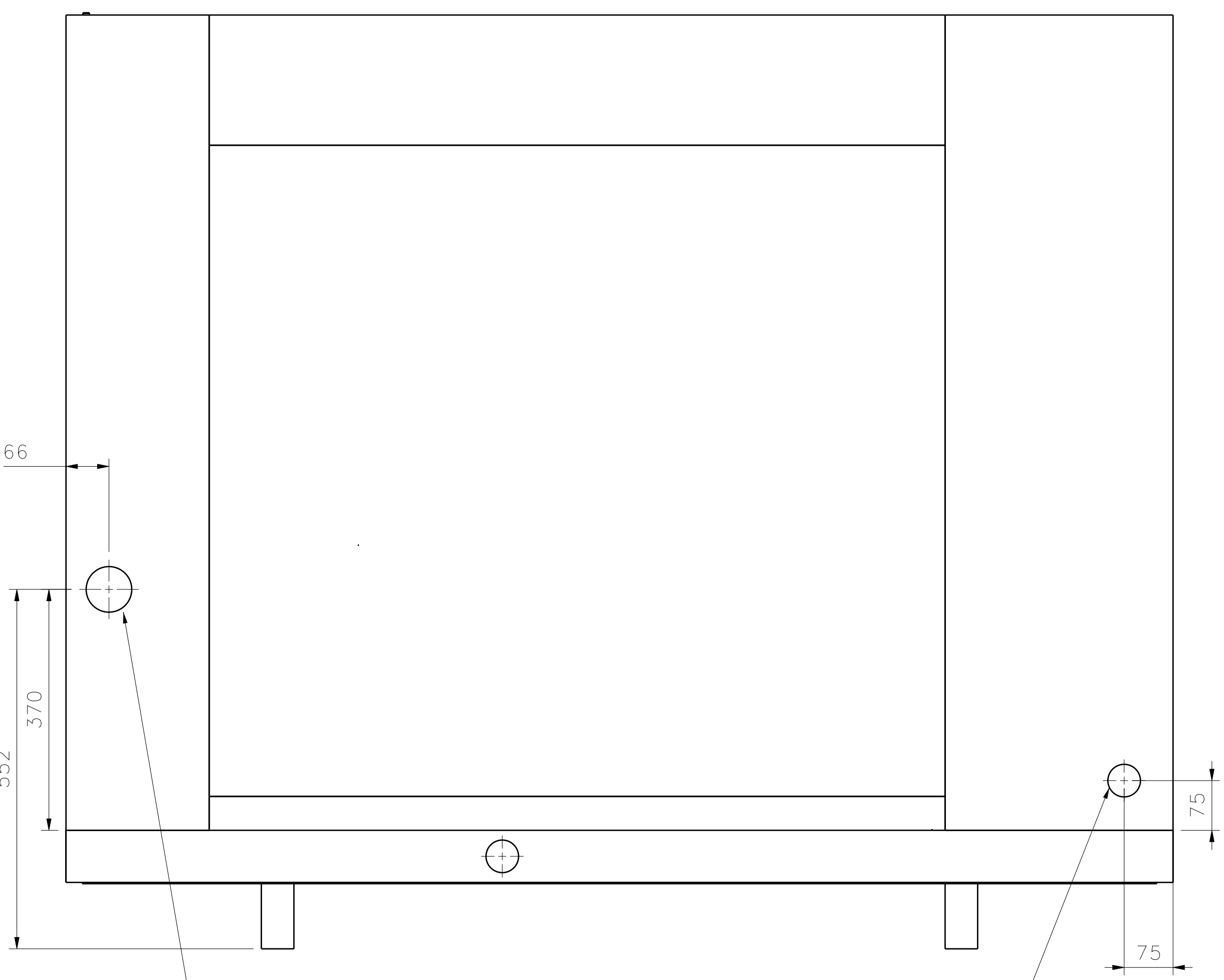
Left view
Scale: 1:4



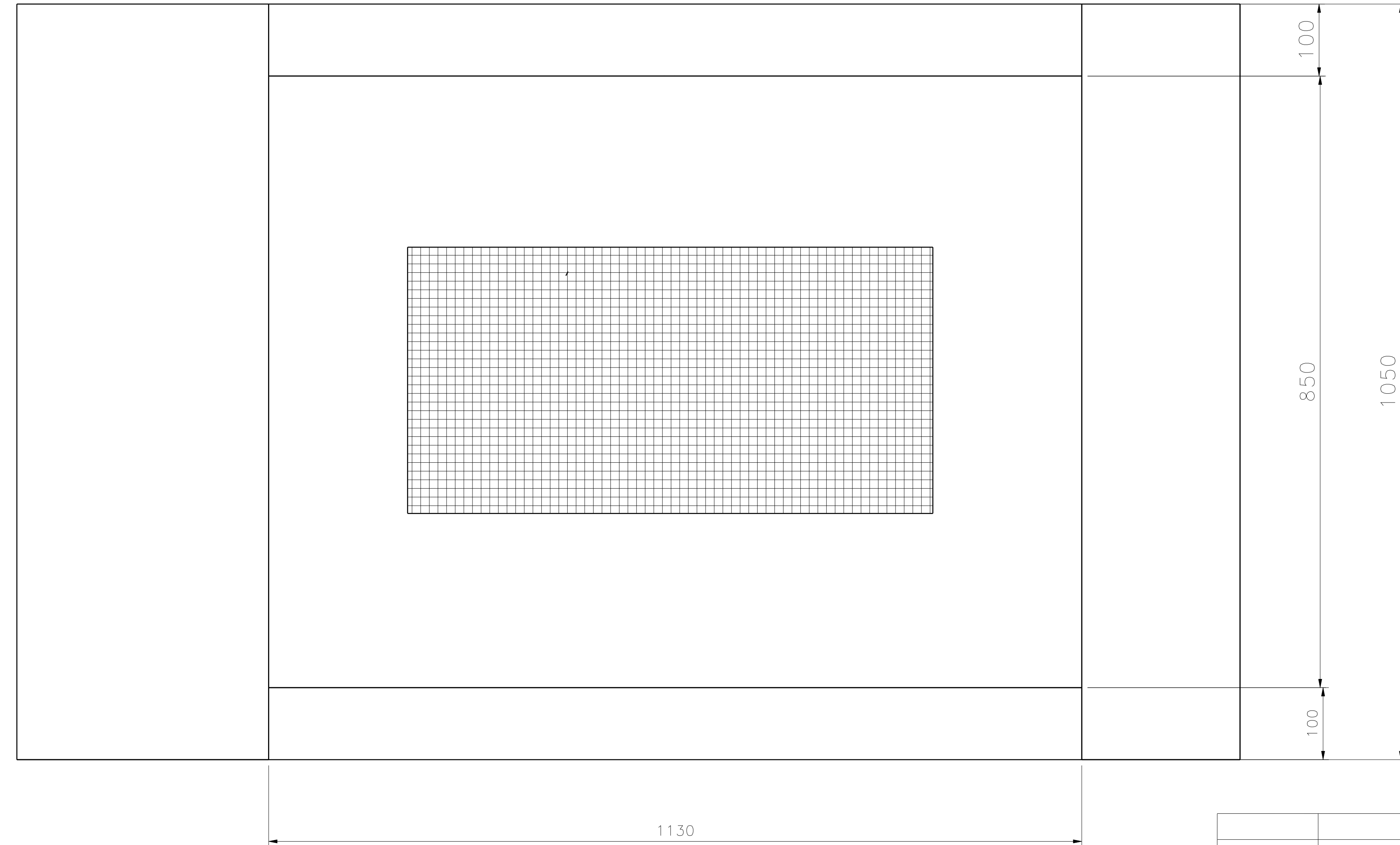
Front view
Scale: 1:4



Right view
Scale: 1:4



Rear view
Scale: 1:6



Top view
Scale: 1:4

25.05.2021

ITEM NO.	QTY	CODE	IDENT	PART OR IDENTIFYING NO.	NOMENCLATURE OR DESCRIPTION	MATERIAL	SPECIFICATION	ZONE
LIST OF MATERIALS OR PARTS LIST								

THIS DRAWING IS THE PROPERTY OF ANKARA HAMAK IND. AND IS TRANSMITTED IN CONFIDENCE. NEITHER RECEIPT NOR POSSESSION CONFERS OR TRANSFERS ANY RIGHT TO REPRODUCE, USE OR DISCLOSE, IN WHOLE OR PART, DATA CONTAINED HEREIN FOR ANY PURPOSE WITHOUT THE WRITTEN PERMISSION OF ANKARA HAMAK IND.

UNLESS OTHERWISE SPECIFIED DIMENSIONS ARE IN INCHES TOLERANCES ON		CONTRACT NUMBER		VSD 45 COMPRESSOR DIMENSIONS	
FRACTIONS	DECIMALS	DATE OF DRAWING	15.10.2020		
± X ±		DRAFTSMAN	V. SAKAL	CHECKER	B. YAGCI
ANGLES	. XX ±	ENGINEER	I. URKUT	FUNCTIONAL DESIGN	
± XXX ±		MANUFACTURING		WELDING	
NEXT ASSY USED ON APPLICATION				APPROVED R. ÖKÇÜN	
SIZE A0		DRAWING NO. 10-0450-9500		SCALE UNIT WT. LB SHEET OF	

